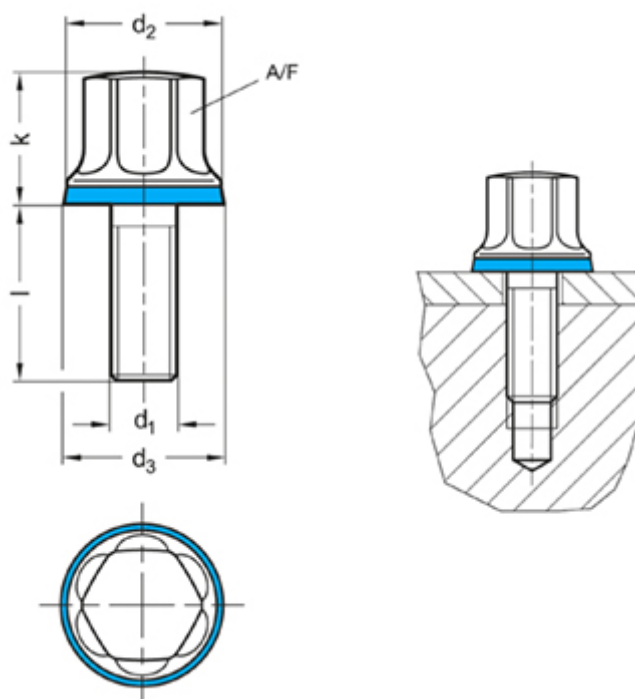


Article number: 201580M1020PL

Description: E+G Screw GN 1580-M10-20-PL-H
Hygienic design

Measures



d1	= M 10
d2	= 21
d3	= 21.8
k	= 18
L	= 20
t min	= -
Weight in (g)	= 40